

THE UNIVERSE AS A QUANTUM COMPUTER

S. Gudder

Department of Mathematics

University of Denver

Denver, Colorado 80208, U.S.A.

sgudder@du.edu

Abstract

This article presents a sequential growth model for the universe that acts like a quantum computer. The basic constituents of the model are a special type of causal set (causet) called a c -causet. A c -causet is defined to be a causet that is independent of its labeling. We characterize c -causets as those causets that form a multipartite graph or equivalently those causets whose elements are comparable whenever their heights are different. We show that a c -causet has precisely two c -causet offspring. It follows that there are 2^n c -causets of cardinality $n + 1$. This enables us to classify c -causets of cardinality $n + 1$ in terms of n -bits. We then quantize the model by introducing a quantum sequential growth process. This is accomplished by replacing the n -bits by n -qubits and defining transition amplitudes for the growth transitions. We mainly consider two types of processes called stationary and completely stationary. We show that for stationary processes, the probability operators are tensor products of positive rank-1 qubit operators. Moreover, the converse of this result holds. Simplifications occur for completely stationary processes. We close with examples of precluded events.

1 Introduction

One frequently hears people say that the universe acts like a giant quantum computer, but when pressed they are usually short on details. This article attempts to begin giving these details. It should be emphasized that only a basic framework is presented and much work remains to be done. If this idea is correct, then great benefits will result. One benefit being better understanding of the universe itself and another is the ability to tap into a source of enormous computational power.

We first present a theory of discrete quantum gravity in terms of causal sets (causets) [2, 5, 7]. Unlike previous sequential growth models the basic elements of this theory are a special type of causet called a covariant causet (c -causet). A c -causet is defined to be a causet that is independent of its labeling. That is, two different labelings of a c -causet are isomorphic. The restriction of a growth model to c -causets provides great simplifications. For example, every c -causet possesses a unique c -causet history and has precisely two covariant offspring. It follows that there are 2^n c -causets of cardinality $n + 1$. This enables us to classify c -causets of cardinality $n + 1$ in terms of n -bits. The framework of a classical computer is already emerging. We characterize c -causets as those causets that form a multipartite graph or equivalently those causets whose elements are comparable whenever their heights are different.

We next quantize the model by introducing a quantum sequential growth process. This is accomplished by replacing the n -bits with n -qubits and defining transition amplitudes for the growth transitions. The transition amplitudes are given by complex-valued coupling constants $c_{n,j}$, $j = 0, 1, \dots, 2^{n-1}$. If the coupling constants are independent of j , we call the process stationary and if they are independent of n and j we call the process completely stationary. We show that for stationary processes the probability operators that determine the quantum dynamics are tensor products of rank-1 qubit operators. Moreover, the converse of this result holds. Simplifications occur for completely stationary processes. In this case, all the qubit operators are the same and can be related to spin operators. We close with some examples of precluded events in the completely stationary case.

2 Covariant Causets

In this article we call a finite partially ordered set a *causet*. If two causets are order isomorphic, we consider them to be identical. If a and b are elements of a causet x , we interpret the order $a < b$ as meaning that b is in the causal future of a and a is in the causal past of b . An element $a \in x$ is *maximal* if there is no $b \in x$ with $a < b$. If $a < b$ and there is no $c \in x$ with $a < c < b$, then a is a *parent* of b and b is a *child* of a . If $a, b \in x$ we say that a and b are *comparable* if $a \leq b$ or $b \leq a$. A *chain* in x is a set of mutually comparable elements of x and an *antichain* is a set of mutually incomparable elements of x . The *height* of $a \in x$ is the cardinality of the longest chain whose largest element is a . The height of x is the maximum of the heights of its elements. We denote the cardinality of x by $|x|$.

If x and y are causets with $|y| = |x| + 1$, then x *produces* y if y is obtained from x by adjoining a single maximal element a to x . In this case we write $y = x \uparrow a$ and use the notation $x \rightarrow y$. If $x \rightarrow y$, we also say that x is a *producer* of y and y is an *offspring* of x . In general, x may produce many offspring and y may be the offspring of many producers.

A *labeling* for a causet x is a bijection $\ell: x \rightarrow \{1, 2, \dots, |x|\}$ such that $a, b \in x$ with $a < b$ implies that $\ell(a) < \ell(b)$. A *labeled causet* is a pair (x, ℓ) where ℓ is a labeling of x . For simplicity, we frequently write $x = (x, \ell)$ and call x an ℓ -causet. Two ℓ -causets x and y are *isomorphic* if there exists a bijection $\phi: x \rightarrow y$ such that $a < b$ if and only if $\phi(a) < \phi(b)$ and $\ell[\phi(a)] = \ell(a)$ for every $a \in x$. Isomorphic ℓ -causets are considered identical as ℓ -causets. It is not hard to show that any causet can be labeled in many different ways but there are exceptions and these are the ones of importance in this work. A causet is *covariant* if it has a unique labeling (up to ℓ -causet isomorphism). Covariance is a strong restriction which says that the elements of the causet have a unique “birth order” up to isomorphism. We call a covariant causet a *c-causet*.

We denote the set of c -causets with cardinality n by \mathcal{P}_n and the set of all c -causets by $\mathcal{P} = \cup \mathcal{P}_n$. Notice that any nonempty c -causet y has a unique producer. Indeed, if y had two different producers x_1, x_2 then x_1 and x_2 could be labeled differently and these could be used to give different labelings for y . If $x \in \mathcal{P}$, then the parent-child relation $a \prec b$ makes x into a graph (x, \prec) . A graph G is *multipartite* if there is a partition of its vertices $V = \cup V_j$ such that the vertices of V_j and V_{j+1} are adjacent and there are no other adjacencies.

Theorem 2.1. *The following statements for a causet x are equivalent. (a) x is covariant, (b) the graph (x, \prec) is multipartite, (c) $a, b \in x$ are comparable whenever a and b have different heights.*

Proof. Conditions (b) and (c) are clearly equivalent. To prove that (a) implies (b), suppose x is covariant and let $x = \cup_{i=0}^m y_i$ where y_i is the set of elements in x of height i . Suppose $a \in y_n, b \in y_{n+1}$ and $a \not\prec b$. We can delete maximal elements of y until b is maximal and the only element of height $n + 1$. Denote the resulting causet by z . We can label b by $|z|$, a by $|z| - 1$ and consistently label the other elements of z so that z is an ℓ -causet. We can also label b by $|z| - 1$, a by $|z|$ and keep the same labels for the other elements of z . This gives two nonisomorphic labelings of z . Adjoining maximal elements to z to obtain x , we have x with two nonisomorphic labelings which is a contradiction. Hence, $a < b$ so a is a parent of b . It follows that x is multipartite. To prove that (b) implies (a), suppose the graph (x, \prec) is multipartite. Letting $x = \cup_{i=0}^m y_i$ where y_i is the set of elements of height i , it follows that $a < b$ for all $a \in y_i, b \in y_{i+1}, i = 0, \dots, m - 1$. We can write

$$\begin{aligned} y_0 &= \{a_1, \dots, a_{|y_0|}\} \\ y_1 &= \{a_{|y_0|+1}, \dots, a_{|y_0|+|y_1|}\} \\ &\vdots \\ y_m &= \{a_{|y_0|+\dots+|y_{m-1}|+1}, \dots, a_{|y_0|+\dots+|y_m|}\} \end{aligned}$$

where j is the label on a_j . This gives a labeling of x and is the only labeling up to isomorphism. \square

Theorem 2.2. *If $x \in \mathcal{P}$, then x has precisely two covariant offspring.*

Proof. By Theorem 2.1, the graph (x, \prec) is multipartite. Suppose x has height n . Let $x_1 = x \uparrow a$ where a has all the elements of height n as parents. Then a is the only element of x_1 with height $n + 1$. Hence, x_1 is multipartite so by Theorem 2.1, x_1 is a covariant offspring of x . Let $x_2 = x \uparrow b$ where b has all the elements of height $n - 1$ in x as parents. (If $n = 1$, then b has no parents.) It is clear that x_2 is a multipartite graph. By Theorem 2.1, x_2 is a covariant offspring of x . Also, there is only one covariant offspring of each of these two types. Let $y = x \uparrow c$ be a covariant offspring of x that is not one of these two types and let $a \in x$ have label $|x|$. Then a and c are incomparable and we can label x by $|x| + 1$. If we interchange the labels of a and c , we get

a nonisomorphic labeling of y which gives a contradiction. We conclude that x has precisely two covariant offspring. \square

Corollary 2.3. *There are 2^n c -causets of cardinality $n + 1$.*

Proof. Notice that we obtain all c -causets from the producer-offspring process of Theorem 2.2. Indeed, take any $x \in \mathcal{P}$ and delete maximal elements until we arrive at the one element c -causet. In this way, x is obtained from the process of Theorem 2.2. We now employ induction on n . There are $1 = 2^{1-1}$ c -causets of cardinality 1. If the result holds for c -causets of cardinality n , then by Theorem 2.2 there are $2 \cdot 2^{n-1} = 2^n$ c -causets of cardinality $n + 1$. Hence, the result holds for c -causets of cardinality $n + 1$. \square

As a bonus we obtain an already known combinatorial identity. A *composition* of a positive integer n is a sequence of positive integers whose sum is n . The order of terms in the sequence is taken into account. For example the following are the compositions of 1, 2, 3, 4, 5.

$$n = 1: 1$$

$$n = 2: 1 + 1, 2$$

$$n = 3: 1 + 1 + 1, 1 + 2, 2 + 1, 3$$

$$n = 4: 1 + 1 + 1 + 1, 1 + 1 + 2, 1 + 2 + 1, 2 + 1 + 1, 2 + 2, 1 + 3, 3 + 1, 4$$

$$n = 5: 1 + 1 + 1 + 1 + 1, 1 + 1 + 1 + 2, 1 + 1 + 2 + 1, 1 + 2 + 1 + 1,$$

$$2 + 1 + 1 + 1, 1 + 1 + 3, 1 + 3 + 1, 3 + 1 + 1, 1 + 4, 4 + 1,$$

$$2 + 3, 3 + 2, 1 + 2 + 2, 2 + 1 + 2, 2 + 2 + 1, 5$$

The reader has surely noticed that for $n = 1, 2, 3, 4, 5$, the number of compositions of n is 2^{n-1} .

Corollary 2.4. *There are 2^{n-1} compositions of the positive integer n .*

Proof. There is a bijection between compositions of n and multipartite graphs with n vertices. The result follows from Corollary 2.3. \square

The pair $(\mathcal{P}, \rightarrow)$ forms a partially ordered set in its own right. Moreover, $(\mathcal{P}, \rightarrow)$ also forms a graph that is a tree. Figure 1 depicts the first five levels of this tree. The binary designations in Figure 1 will now be explained. By Corollary 2.3, at height $n + 1$ there are 2^n c -causets so binary numbers fit well, but how do we define a natural order for the c -causets? We have seen in

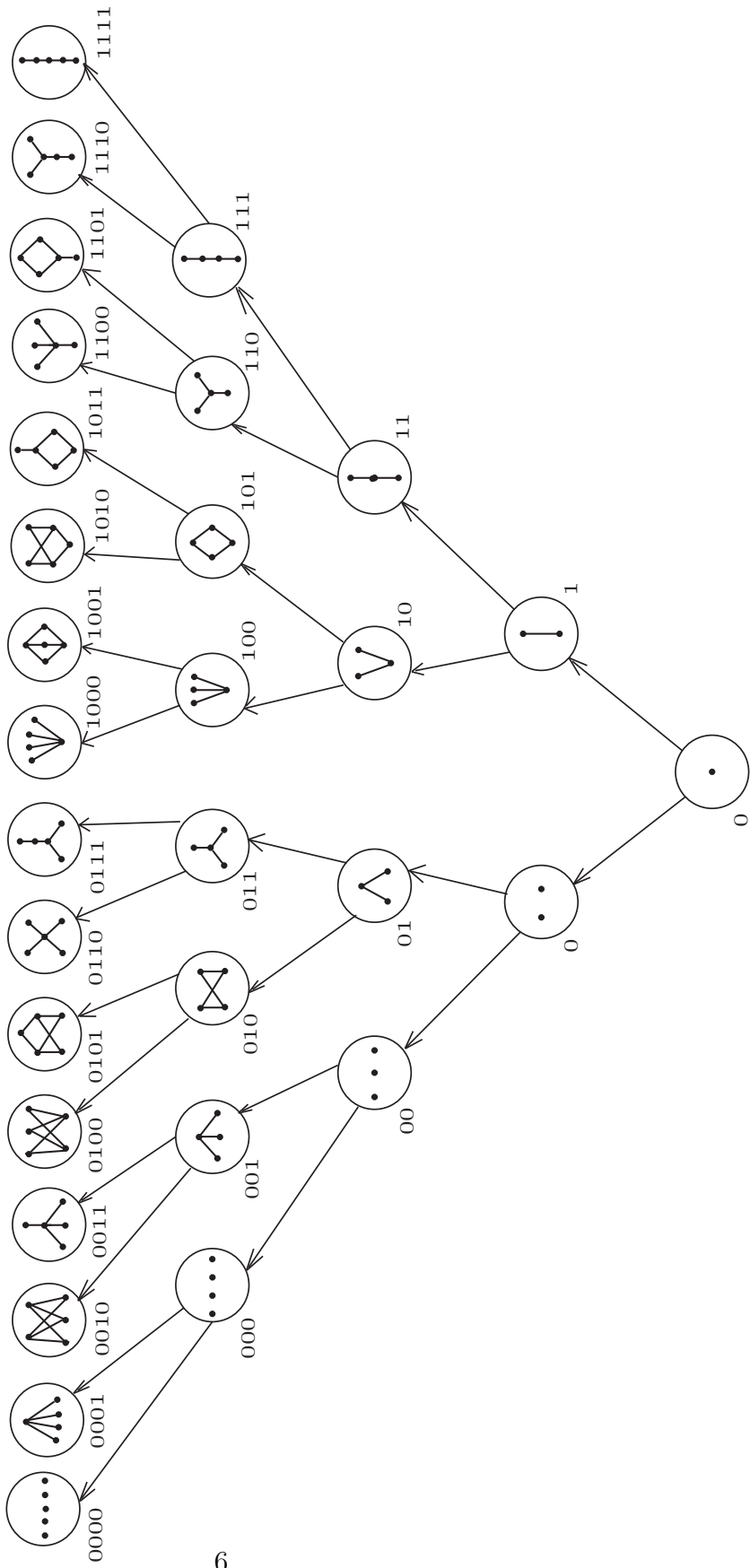


Figure 1

Theorem 2.2 that if $x \in \mathcal{P}_n$, $n = 1, 2, \dots$, then x has precisely two offspring in \mathcal{P} , $x \rightarrow x_0, x_1$ here x_0 has the same height as x and x_1 has the height of x plus one. We call x_0 the 0-offspring and x_1 the 1-offspring of x . We assign a binary order to $x \in \mathcal{P}$ recursively as follows. If $x \in \mathcal{P}_1$, then x is the unique one element c -causet and we designate x by 0. If $x \in \mathcal{P}_{n+1}$, then x has a unique producer $y \in \mathcal{P}_n$. Suppose y has binary order $j_{n-1}j_{n-1} \cdots j_2j_1$, $j_i = 0$ or 1. If x is the 0-offspring of y , then we designate x with $j_{n-1} \cdots j_2j_10$ and if x is a 1-offspring of y , then we designate x with $j_{n-1} \cdots j_2j_11$. The reader can now check this definition with the binary order in Figure 1.

We now see the beginning development of a giant classical computer. At the $(n + 1)$ th step of the process, n -bit strings are generated. It is estimated that we are now at about the 10^{60} th step so $(10^{60} - 1)$ -bit strings are being generated. There are about $2^{10^{60}}$ such strings so an enormous amount of information is being processed. When we get to quantum computers, then superpositions of strings will be possible and the amount of information increases exponentially. It is convenient to employ the notation

$$\underline{j} = j_n j_{n-1} \cdots j_2 j_1$$

for an n -bit string. In this way we can designate each $x \in \mathcal{P}$ uniquely by $x_{n+1, \underline{j}}$ where $n + 1 = |x|$. For example, the c -causets at step 3 in Figure 1 are $x_{3,00}, x_{3,01}, x_{3,10}, x_{3,11}$. In decimal notation we can also write these as $x_{3,0}, x_{3,1}x_{3,2}, x_{3,3}$.

The binary order that we have just discussed is equivalent to a natural order in terms of the c -causet structure. Let $x = \{a_1, \dots, a_n\} \in \mathcal{P}_n$ where we can assume without loss of generality that j is the label of a_j , $j = 1, \dots, n$. Define

$$j_x \uparrow = \{i \in \mathbb{N} : a_j < a_i\}$$

Thus, $j_x \uparrow$ is the set of labels of the descendants of a_j . Order the set of c -cosets in \mathcal{P}_n lexicographically as follows. If $x, y \in \mathcal{P}_n$, then $x < y$ if

$$1_x \uparrow = 1_y \uparrow, \dots, j_x \uparrow = j_y \uparrow, (j + 1)_x \subsetneq \uparrow(j + 1) \uparrow$$

It is easy to check that $<$ is a total order relation on \mathcal{P}_n . The next theorem, whose proof we leave to the reader, shows that the order $<$ on \mathcal{P}_n is equivalent to the binary order previously discussed.

Theorem 2.5. *If $x_{n, \underline{j}}, x_{n, \underline{k}} \in \mathcal{P}_n$, then $x_{n, \underline{j}} < x_{n, \underline{k}}$ if and only if $\underline{j} < \underline{k}$.*

Example 1. We can illustrate Theorem 2.5 by considering \mathcal{P}_4 . For the c -causets $x_{4,0}, x_{4,1}, \dots, x_{4,7} \in \mathcal{P}_4$ we list the sets $(1_x \uparrow, 2_x \uparrow, 3_x \uparrow)$. Notice that we need not list $4_x \uparrow = \emptyset$ in all cases of \mathcal{P}_4 .

$$\begin{aligned}
x_{4,0} &: (\emptyset, \emptyset, \emptyset) \\
x_{4,1} &: (\{4\}, \{4\}, \{4\}) \\
x_{4,2} &: (\{3, 4\}, \{3, 4\}, \emptyset) \\
x_{4,3} &: (\{2, 3, 4\}, \{3, 4\}, \{4\}) \\
x_{4,4} &: (\{2, 3, 4\}, \emptyset, \emptyset) \\
x_{4,5} &: (\{2, 3, 4\}, \{4\}, \{4\}) \\
x_{4,6} &: (\{2, 3, 4\}, \{3, 4\}, \emptyset) \\
x_{4,7} &: (\{2, 3, 4\}, \{3, 4\}, \{4\})
\end{aligned}$$

The lexicographical order becomes:

$$x_{4,0} < x_{4,1} < x_{4,2} < x_{4,3} < x_{4,4} < x_{4,5} < x_{4,6} < x_{4,7}$$

Example 2. This is so much fun that we list the sets

$$(1_x \uparrow, 2_x \uparrow, 3_x \uparrow, 4_x \uparrow)$$

for the c -causets $x_{5,0}, \dots, x_{5,15} \in \mathcal{P}_5$.

$$\begin{aligned}
x_{5,0} &: (\emptyset, \emptyset, \emptyset, \emptyset) & x_{5,1} &: (\{5\}, \{5\}, \{5\}, \{5\}) \\
x_{5,2} &: (\{4, 5\}, \{4, 5\}, \{4, 5\}, \emptyset) & x_{5,3} &: (\{4, 5\}, \{4, 5\}, \{4, 5\}, \{5\}) \\
x_{5,4} &: (\{3, 4, 5\}, \{3, 4, 5\}, \emptyset, \emptyset) & x_{5,5} &: (\{3, 4, 5\}, \{3, 4, 5\}, \{5\}, \{5\}) \\
x_{5,6} &: (\{3, 4, 5\}, \{3, 4, 5\}, \{4, 5\}, \emptyset) & x_{5,7} &: (\{3, 4, 5\}, \{3, 4, 5\}, \{4, 5\}, \{5\}) \\
x_{5,8} &: (\{2, 3, 4, 5\}, \emptyset, \emptyset, \emptyset) & x_{5,9} &: (\{2, 3, 4, 5\}, \{5\}, \{5\}, \{5\}) \\
x_{5,10} &: (\{2, 3, 4, 5\}, \{4, 5\}, \{4, 5\}, \emptyset) & x_{5,11} &: (\{2, 3, 4, 5\}, \{4, 5\}, \{4, 5\}, \{5\}) \\
x_{5,12} &: (\{2, 3, 4, 5\}, \{3, 4, 5\}, \emptyset, \emptyset) & x_{5,13} &: (\{2, 3, 4, 5\}, \{3, 4, 5\}, \{5\}, \{5\}) \\
x_{5,14} &: (\{2, 3, 4, 5\}, \{3, 4, 5\}, \{4, 5\}, \emptyset) & x_{5,15} &: (\{2, 3, 4, 5\}, \{3, 4, 5\}, \{4, 5\}, \{5\})
\end{aligned}$$

This order structure $(\mathcal{P}_n, <)$ induces a topology on \mathcal{P}_n whereby we can describe the “closeness” of c -causets. For example, we can place a metric on \mathcal{P}_n by defining $\rho(x_{n,\underline{j}}, x_{n,\underline{k}}) = |\underline{j} - \underline{k}|$. If we want to keep the size of the metric reasonable, we could define

$$\rho(x_{n,\underline{j}}, x_{n,\underline{k}}) = \frac{1}{2^{n-1}} |\underline{j} - \underline{k}|$$

3 Quantum Sequential Growth Processes

The tree $(\mathcal{P}, \rightarrow)$ can be thought of as a growth model and an $x \in \mathcal{P}_n$ is a possible universe at step (time) n . An instantaneous universe x grows one element at a time in one of two ways at each step. A *path* in \mathcal{P} is a sequence (string) $\omega_1\omega_2\cdots$ where $\omega_i \in \mathcal{P}_i$ and $\omega_i \rightarrow \omega_{i+1}$. An *n-path* is a finite sequence $\omega_1\omega_2\cdots\omega_n$ where again $\omega_i \in \mathcal{P}_i$ and $\omega_i \rightarrow \omega_{i+1}$. We denote the set of paths by Ω and the set of n -paths by Ω_n . We think of $\omega \in \Omega$ as a “completed” universe or as a universal history. We may also view $\omega \in \Omega$ as an evolving universe. Since a c -causet has a unique producer, an n -path $\omega = \omega_1\omega_2\cdots\omega_n$ is completely determined by ω_n . In other words, a c -causet possesses a unique history. We can thus identify Ω_n with \mathcal{P}_n and we write $\Omega_n \approx \mathcal{P}_n$. If $\omega = \omega_1\omega_2\cdots\omega_n \in \Omega_n$ we denote by $\omega \rightarrow$) the two element subset of Ω_{n+1} consisting of $\{\omega x_0, \omega x_1\}$ where x_0 and x_1 are the offspring of ω_n . Thus,

$$(\omega \rightarrow) = \{\omega_1 \cdots \omega_n x_0, \omega_1 \cdots \omega_n x_1\}$$

If $A \subseteq \Omega_n$ we define $(A \rightarrow) \subseteq \Omega_{n+1}$ by

$$(A \rightarrow) = \cup \{(\omega \rightarrow) : \omega \in A\}$$

Thus, $(A \rightarrow)$ is the set of one-element continuations of n -paths in A .

The set of all paths beginning with $\omega \in \Omega_n$ is called an *elementary cylinder set* and is denoted by $\text{cyl}(\omega)$. If $A \subseteq \Omega_n$, then the *cylinder set* $\text{cyl}(A)$ is defined by

$$\text{cyl}(A) = \cup \{\text{cyl}(\omega) : \omega \in A\}$$

Using the notation

$$\mathcal{C}(\Omega_n) = \{\text{cyl}(A) : A \subseteq \Omega_n\}$$

we see that

$$\mathcal{C}(\Omega_1) \subseteq \mathcal{C}(\Omega_2) \subseteq \cdots$$

is an increasing sequence of subalgebras of the *cylinder algebra* $\mathcal{C}(\Omega) = \cup \mathcal{C}(\Omega_n)$. Letting \mathcal{A} be the σ -algebra generated by $\mathcal{C}(\Omega)$, we have that (Ω, \mathcal{A}) is a measurable space. For $A \subseteq \Omega$ we define the sets $A^n \subseteq \Omega_n$ by

$$A^n = \{\omega_1\omega_2\cdots\omega_n : \omega_1\omega_2\cdots\omega_n\omega_{n+1}\cdots \in A\}$$

That is, A^n is the set of n -paths that can be continued to a path in A . We think of A^n as the n -step approximation to A . We have that

$$\text{cyl}(A_1) \supseteq \text{cyl}(A_2) \supseteq \cdots \supseteq A$$

so that $A \subseteq \cap \text{cyl}(A^n)$. However, $A \neq \cap \text{cyl}(A^n)$ in general, even if $A \in \mathcal{A}$.

Let $H_n = L_2(\Omega_n) = L_2(\mathcal{P}_n)$ be the n -path Hilbert space $\mathbb{C}^{\Omega_n} = \mathbb{C}^{\mathcal{P}_n}$ with the usual inner product

$$\langle f, g \rangle = \sum \left\{ \overline{f(\omega)} g(\omega) : \omega \in \Omega_n \right\}$$

For $A \subseteq \Omega_n$, the characteristic function $\chi_A \in H_n$ has norm $\|\chi_A\| = \sqrt{|A|}$. In particular $1_n = \chi_{\Omega_n}$ satisfies

$$\|1_n\| = |\Omega_n|^{1/2} = 2^{(n-1)/2}$$

A positive operator ρ on H_n that satisfies $\langle \rho 1_n, 1_n \rangle = 1$ is called a *probability operator* [2]. Corresponding to a probability operator ρ we define the *decoherence functional* [2, 3, 6]

$$D_\rho: 2^{\Omega_n} \times 2^{\Omega_n} \rightarrow \mathbb{C}$$

by $D_\rho(A, B) = \langle \rho \chi_B, \chi_A \rangle$. We interpret $D_\rho(A, B)$ as a measure of the interference between the events A and B when the system is described by ρ . We also define the q -measure $\mu_\rho: 2^{\Omega_n} \rightarrow \mathbb{R}^+$ by $\mu_\rho(A) = D_\rho(A, A)$ and interpret $\mu_\rho(A)$ as the quantum propensity of the event $A \subseteq \Omega_n$ [2, 4, 7]. In general, μ_ρ is not additive on 2^{Ω_n} so μ_ρ is not a measure. However, μ_ρ is *grade-2 additive* [2, 4, 7] in the sense that if $A, B, C \in 2^{\Omega_n}$ are mutually disjoint, then

$$\mu_\rho(A \cup B \cup C) = \mu_\rho(A \cup B) + \mu_\rho(A \cup C) + \mu_\rho(B \cup C) - \mu_\rho(A) - \mu_\rho(B) - \mu_\rho(C)$$

Let ρ_n be a probability operator on H_n , $n = 1, 2, \dots$. We say that the sequence $\{\rho_n\}$ is *consistent* if

$$D_{\rho_{n+1}}(A \rightarrow, B \rightarrow) = D_{\rho_n}(A, B)$$

for all $A, B \subseteq \Omega_n$ [2]. We call a consistent sequence $\{\rho_n\}$ a *covariant quantum sequential growth process* (CQSGP). Let ρ_n be a CQSGP and denote the corresponding q -measure by μ_n . A set $A \in \mathcal{A}$ is *suitable* if $\lim \mu_n(A^n)$ exists (and is finite) in which case we define $\mu(A) = \lim \mu_n(A^n)$. We denote the collection of suitable sets by $\mathcal{S}(\Omega)$. Of course, $\emptyset, \Omega \in \mathcal{S}(\Omega)$ with $\mu(\emptyset) = 0$, $\mu(\Omega) = 1$. If $A \in \mathcal{C}(\Omega)$ and $A = \text{cyl}(B)$ where $B \subseteq \Omega_m$, then it follows from consistency that $\lim \mu_n(A^n) = \mu_m(B)$. Hence, $A \in \mathcal{S}(\Omega)$ and $\mu(A) = \mu_m(B)$. We conclude that $\mathcal{C}(\Omega) \subseteq \mathcal{S}(\Omega) \subseteq \mathcal{A}$ and it can be shown that the inclusions

are proper, in general. In a sense, μ is a q -measure on $\mathcal{S}(\Omega)$ that extends the q -measures μ_n .

There are physically relevant sets that are not in $\mathcal{C}(\Omega)$. In this case, it is important to know whether such a set A is in $\mathcal{S}(\Omega)$ and if it is, to find $\mu(A)$. For example, if $\omega \in \Omega$ then

$$\{\omega\} = \bigcap_{n=1}^{\infty} \{\omega\}^n \in \mathcal{A}$$

but $\{\omega\} \notin \mathcal{C}(\Omega)$. As another example, the complement $\{\omega\}' \notin \mathcal{C}(\Omega)$. Even if $\{\omega\} \in \mathcal{S}(\Omega)$, since $\mu_n(A') \neq 1 - \mu_n(A)$ for $A \subseteq \Omega_n$ in general, it does not follow immediately that $\{\omega\}' \in \mathcal{S}(\Omega)$. For this reason, we would have to treat $\{\omega\}'$ as a separate case.

We saw in Section 2 that we can represent each element of \mathcal{P} uniquely as $x_{n,\underline{j}}$ where $n = |x|$ and \underline{j} can be considered as a binary number. We can also represent each element in \mathcal{P}_{n+1} as a n -bit binary number $\underline{j} = j_n j_{n-1} \cdots j_2 j_1$, $j = 0$ or 1 . Since $\Omega_n \approx \mathcal{P}_n$ we can also represent each $\omega \in \Omega_{n+1}$ by an n -bit binary number \underline{j} . The standard basis for $H_{n+1} = L_2(\Omega_{n+1})$ is the set of vectors $e_{\underline{j}} = \chi_{\omega_{\underline{j}}}$, $\omega_{\underline{j}} \in \Omega_{n+1}$. We frequently use the notation $|\underline{j}\rangle = e_{\underline{j}}$ which is called the *computational basis* in quantum computation theory. In this theory $|\underline{j}\rangle$ is represented by

$$|\underline{j}\rangle = |j_n \cdots j_2 j_1\rangle = |j_n\rangle \otimes \cdots \otimes |j_2\rangle \otimes |j_1\rangle$$

where $|j_i\rangle$ is $|0\rangle$ or $|1\rangle$ which form the basis of the two-dimensional Hilbert space \mathbb{C}^2 .

The basis vectors $|0\rangle$ and $|1\rangle$ are called *qubit states* but we shall call them *qubits*, for short. We also call $|\underline{j}\rangle$ given above, an *n-qubit*. This is the quantum computation analogue of an n -bit of classical computer science. If ρ_{n+1} is a probability operator, the corresponding *decoherence matrix* is the $2^n \times 2^n$ complex matrix whose $\underline{j} - \underline{k}$ component is given by

$$M_{\rho_{n+1}} = [\langle \rho_n | \underline{k} \rangle, |\underline{j}\rangle \rangle]$$

This is frequently shortened to

$$M_{\rho_{n+1}} = [\langle \rho_n \underline{k}, \underline{j} \rangle]$$

but we shall not use this notation because it can be confusing. For $A, B \subseteq \Omega_{n+1}$ we form the superpositions

$$\begin{aligned} |A\rangle &= \sum \{|\underline{i}\rangle : \omega_{\underline{i}} \in A\} \\ |B\rangle &= \sum \{|\underline{i}\rangle : \omega_{\underline{i}} \in B\} \end{aligned}$$

The decoherence functional is now given by

$$D_{\rho_{n+1}}(A, B) = \langle \rho_{n+1} |B\rangle, |A\rangle \rangle$$

Superpositions are a strictly quantum phenomenon that has no counterpart in classical computation.

An event $A \subseteq \Omega_n$ is *precluded* if $\mu_n(A) = 0$ [4]. Precluded events have been extensively studied in [1, 3, 5, 7, 8] and they are considered to be events that never occur. We shall give simple examples later which show that if A is precluded and $B \subseteq A$ then B need not be precluded. However, the following properties do hold.

Theorem 3.1. (a) *If $A \subseteq \Omega_n$ is precluded and $B \subseteq \Omega_n$ is disjoint from A then $\mu_n(A \cup B) = \mu_n(B)$.* (b) *If $A, B \subseteq \Omega_n$ are disjoint precluded events then $A \cup B$ is precluded.*

Proof. (a) Since $\mu_n(A) = 0$ we have that

$$\|\rho_n^{1/2} \chi_A\|^2 = \langle \rho_n^{1/2} \chi_A, \rho_n^{1/2} \chi_A \rangle = \langle \rho_n \chi_A, \chi_A \rangle = 0$$

Hence, $\rho_n^{1/2} \chi_A = 0$ so $\rho_n \chi_A = 0$. Since $A \cap B = \emptyset$ we have that

$$\begin{aligned} \mu_n(A \cup B) &= \langle \rho_n \chi_{A \cup B}, \chi_{A \cup B} \rangle = \langle \rho_n (\chi_A + \chi_B), \chi_A + \chi_B \rangle \\ &= \langle \rho_n \chi_A, \chi_A \rangle + 2\text{Re} \langle \rho_n \chi_A, \chi_B \rangle + \langle \rho_n \chi_B, \chi_B \rangle \\ &= \langle \rho_n \chi_B, \chi_B \rangle = \mu_n(B) \end{aligned}$$

Part (b) follows from (a). □

An event $A \in \mathcal{S}(\Omega)$ is *precluded* if $\mu(A) = 0$ and A is *strongly precluded* if there exists an $n \in \mathbb{N}$ such that $\mu_m(A^m) = 0$ for all $m \geq n$. For example, if $A = \text{cyl}(B)$ where $B \subseteq \Omega_n$ and $\mu_n(B) = 0$ then A is strongly precluded. Of course, strongly precluded events are precluded.

A precluded event is *primitive* if it has no proper, nonempty precluded subsets.

Theorem 3.2. *If $A \subseteq \Omega_n$ is precluded, then A is primitive or A is a union of mutually disjoint primitive precluded events.*

Proof. If A is primitive we are finished. Otherwise, there exists a proper, nonempty precluded subset $B \subseteq A$. Since $|B| < \infty$ there exists a nonempty, primitive precluded event $A_1 \subseteq B \subseteq A$. Applying Theorem 3.1, we conclude that $\mu_n(A \cap A'_1) = 0$. In a similar way, there exists a nonempty, primitive precluded event $A_2 \subseteq A \cap A'_1$. Of course, $A_1 \cap A_2 = \emptyset$. Continuing, this process must eventually stop and we obtain a sequence of mutually disjoint primitive precluded events A_1, \dots, A_n with $A = \cup A_i$. \square

4 Covariant Amplitude Processes

This section considers a method of constructing a CQSGP called a covariant amplitude process. Not all CQSGPs can be constructed in this way, but this method appears to have physical motivation [2].

A *transition amplitude* is a map $\tilde{a}: \mathcal{P} \times \mathcal{P} \rightarrow \mathbb{C}$ such that $\tilde{a}(x, y) = 0$ if $x \not\rightarrow y$ and $\sum_y \tilde{a}(x, y) = 1$ for all $x \in \mathcal{P}$. This is similar to a Markov chain except $\tilde{a}(x, y)$ may be complex. The *covariant amplitude process* (CAP) corresponding to \tilde{a} is given by the maps $a_n: \Omega_n \rightarrow \mathbb{C}$ where

$$a_n(\omega_1 \omega_2 \cdots \omega_n) = \tilde{a}(\omega_1, \omega_2) \tilde{a}(\omega_2, \omega_3) \cdots \tilde{a}(\omega_{n-1}, \omega_n)$$

We can consider a_n to be a vector in $H_n = L_2(\Omega_n) = L_2(\mathcal{P}_n)$. Notice that for $x \in \mathcal{P}_n$ we can define $a_n(x)$ to be $a_n(\omega)$ where $\omega \in \Omega_n$ is the unique history of x . Observe that

$$\langle 1_n, a_n \rangle = \sum_{\omega \in \Omega_n} a_n(\omega) = 1$$

and we also have that

$$\|a_n\| = \left(\sum_{\omega \in \Omega_n} |a_n(\omega)|^2 \right)^{1/2}$$

Define the rank-1 positive operator $\rho_n = |a_n\rangle\langle a_n|$ on H_n . The norm of ρ_n is

$$\|\rho_n\| = \|a_n\|^2 = \sum_{\omega \in \Omega_n} |a_n(\omega)|^2$$

Since $\langle \rho_n 1_n, 1_n \rangle = |\langle 1_n, a_n \rangle|^2 = 1$, we conclude that ρ_n is a probability operator. It is shown in [2] that $\{\rho_n\}$ is consistent so $\{\rho_n\}$ forms a CQSGP. We call $\{\rho_n\}$ the CQSGP *generated* by the CAP $\{a_n\}$.

The decoherence functional corresponding to the CAP $\{a_n\}$ becomes

$$\begin{aligned} D_n(A, B) &= \langle \rho_n \chi_B, \chi_A \rangle = \langle \chi_B, a_n \rangle \langle a_n, \chi_A \rangle \\ &= \sum_{\omega \in A} \overline{a_n(\omega)} \sum_{\omega \in B} a_n(\omega) \end{aligned}$$

In particular, for $\omega, \omega' \in \Omega_n$ the decoherence matrix elements

$$D_n(\omega, \omega') = \overline{a_n(\omega)} a_n(\omega')$$

are the matrix elements of ρ_n in the standard basis. The q -measure $\mu_n: 2^{\Omega_n} \rightarrow \mathbb{R}^+$ is given by

$$\mu_n(A) = D_n(A, A) = \left| \sum_{\omega \in A} a_n(\omega) \right|^2$$

In particular, $\mu_n(\omega) = |a_n(\omega)|^2$ for every $\omega \in \Omega_n$ and $\mu_n(\Omega_n) = 1$. Of course, we also have that $\mu_n(x) = |a_n(x)|^2$ for all $x \in \mathcal{P}_n$.

Since each $x \in \mathcal{P}_n$ has precisely two offspring, we can describe a transition amplitude \tilde{a} and the corresponding CAP $\{a_n\}$ in a simple way. Let

$$\tilde{a}(x_{n,\underline{j}}, x_{n+1,\underline{j}0}) = c_{n,\underline{j}}$$

and

$$\tilde{a}(x_{n,\underline{j}}, x_{n+1,\underline{j}1}) = 1 - c_{n,\underline{j}}$$

$j = 0, 1, \dots, 2^{n-1} - 1$. We call the numbers $c_{n,\underline{j}} \in \mathbb{C}$ *coupling constants* for the corresponding CAP $\{a_n\}$.

Example 3. If the CAP $\{a_n\}$ has coupling constants $c_{n,\underline{j}}$, then we have

$$\begin{aligned} a_2(x_{2,0}) &= c_{1,0}, \quad a_2(x_{2,1}) = 1 - c_{1,0}, \quad a_3(x_{3,00}) = c_{1,0}c_{2,0}, \\ a_3(x_{3,01}) &= c_{1,0}(1 - c_{2,0}), \quad a_3(x_{3,10}) = (1 - c_{1,0})c_{2,1}, \\ a_3(x_{3,11}) &= (1 - c_{1,0})(1 - c_{2,1}). \end{aligned}$$

We shall only need a special case of the next theorem but it still has independent interest.

Theorem 4.1. *An operator M on H_n is a rank-1 probability operator if and only if M has a matrix representation $M = [\bar{\alpha}_j \alpha_k]$ where $\alpha_j \in \mathbb{C}$, $j = 1, \dots, n$, satisfy $\sum \alpha_j = 1$.*

Proof. Suppose $M = [M_{jk}]$ with $M_{jk} = \bar{\alpha}_j \alpha_k$ where $\sum \alpha_j = 1$. Let $\psi \in \mathbb{C}^n$ be the vector $\psi = (\alpha_1, \dots, \alpha_n)$. We have that $M = |\psi\rangle\langle\psi|$ so M is positive with rank 1. To show that M is a probability operator we have

$$\sum_{j,k} M_{jk} = \sum_{j,k} \bar{\alpha}_j \alpha_k = \left| \sum \alpha_j \right|^2 = 1$$

Conversely, let M be a rank-1 probability operator. Since M is rank-1, it has the form $M = |\psi\rangle\langle\psi|$ for some $\psi \in \mathbb{C}^n$. We then have the matrix representation

$$M = [\langle e_j, \psi \rangle \langle \psi, e_k \rangle]$$

where e_j , $j = 1, \dots, n$, is the standard basis for \mathbb{C}^n . Letting $\alpha_j = \langle \psi, e_j \rangle$ we conclude that $M = [\bar{\alpha}_j \alpha_k]$. Since M is a probability operator we have that

$$\left| \sum_j \alpha_j \right|^2 = \sum_{j,k} \bar{\alpha}_j \alpha_k = 1$$

Now there exists a $\theta \in \mathbb{R}$ such that $e^{-i\theta} \sum \alpha_j = 1$. Letting $\psi' = e^{i\theta} \psi$ we obtain

$$M = |\psi'\rangle\langle\psi'| = [\bar{\alpha}'_j \alpha'_k]$$

where $\alpha'_j = e^{-i\theta} \alpha_j$, $j = 1, \dots, n$. Hence, $\sum \alpha'_j = 1$. □

An operator on \mathbb{C}^2 is called a *qubit operator*. We shall only need the following corollary of Theorem 4.1.

Corollary 4.2. *A qubit operator M is a rank-1 probability operator if and only if M has a matrix representation*

$$M = \begin{bmatrix} |c|^2 & \bar{c}(1-c) \\ c(1-\bar{c}) & |1-c|^2 \end{bmatrix} \quad (4.1)$$

where $\alpha \in \mathbb{C}$.

A CAP $\{a_n\}$ is *stationary* if the coupling constants $c_{n,j}$ are independent of j . In this case we write $c_{n,j} = c_n$ and we have $\tilde{a}(x_{n,j}, x_{n+1,j0}) = c_n, \tilde{a}(x_{n,j}, x_{n+1,j1}) = 1 - c_n$. By Corollary 4.2 the operators

$$\hat{c}_j = \begin{bmatrix} |c_j|^2 & \bar{c}_j(1 - c_j) \\ c_j(1 - \bar{c}_j) & |1 - c_j|^2 \end{bmatrix}$$

are qubit rank-1 probability operators.

Theorem 4.3. *Let $\{c_n\}$ be the coupling constants for a stationary CAP. The generated CQSGP $\{\rho_n\}$ has the form*

$$\rho_n = \hat{c}_{n-1} \otimes \hat{c}_{n-2} \otimes \cdots \otimes \hat{c}_2 \otimes \hat{c}_1 \quad (4.2)$$

Proof. Since $\Omega_n \approx \mathcal{P}_n$ we can write

$$\rho_2 = D_2 = \begin{bmatrix} |c_1|^2 & \bar{c}_1(1 - c_1) \\ c_1(1 - \bar{c}_1) & |1 - c_1|^2 \end{bmatrix} = \hat{c}_1$$

At the next step we apply Example 3 to obtain

$$\begin{aligned} \rho_3 &= D_3 \\ &= \begin{bmatrix} |c_1|^2 |c_2|^2 & |c_1|^2 \bar{c}_2(1 - c_2) & \bar{c}_1(1 - c_1) |c_2|^2 & \bar{c}_1(1 - c_1) \bar{c}_2(1 - c_2) \\ |c_1|^2 c_2(1 - \bar{c}_2) & |c_1|^2 |1 - c_2|^2 & \bar{c}_1(1 - c_1) c_2(1 - \bar{c}_2) & \bar{c}_1(1 - c_1) |1 - c_2|^2 \\ c_1(1 - \bar{c}_1) |c_2|^2 & c_1(1 - \bar{c}_1) \bar{c}_2(1 - c_2) & |1 - c_1|^2 |c_2|^2 & |1 - c_1|^2 \bar{c}_2(1 - c_2) \\ c_1(1 - \bar{c}_1) c_2(1 - \bar{c}_2) & c_1(1 - \bar{c}_1) |1 - c_2|^2 & |1 - c_1|^2 c_2(1 - \bar{c}_2) & |1 - c_1|^2 |1 - c_2|^2 \end{bmatrix} \\ &= \begin{bmatrix} |c_1|^2 \hat{c}_2 & \bar{c}_1(1 - c_1) \hat{c}_2 \\ c_1(1 - \bar{c}_1) \hat{c}_2 & |1 - c_1|^2 \hat{c}_2 \end{bmatrix} = \hat{c}_2 \otimes \hat{c}_1 \end{aligned}$$

Continuing by induction, we have that (4.2) holds. \square

Equation (4.2) shows that the $(n - 1)$ -qubit probability operator ρ_n is the tensor product of $n - 1$ qubit probability operators. The next result show that the converse of Theorem 4.3 holds.

Theorem 4.4. *If the CQSGP $\{\rho_n\}$ has the form*

$$\rho_n = \beta_{n-1} \otimes \beta_{n-2} \otimes \cdots \otimes \beta_2 \otimes \beta_1$$

where β_j is a rank-1 probability operator, then $\{\rho_n\}$ is generated by a stationary CAP.

Proof. Since β_j , $j = 1, \dots, n-1$, is a rank-1 qubit probability operator, by Corollary 4.2 we have that

$$\beta_j = \begin{bmatrix} |c_j|^2 & \bar{c}_j(1-c_j) \\ c_j(1-\bar{c}_j) & |1-c_j|^2 \end{bmatrix}$$

where $c_j \in \mathbb{C}$. As in the proof of Theorem 4.3, $\{\rho_n\}$ is generated by a stationary CAP whose coupling constants are $\{c_n\}$ \square

We say that a CAP is *completely stationary* if the coupling constants $c_{n,j}$ are independent of n and j . In this case, we have a single coupling constant $c \in \mathbb{C}$ and the generated CQSGP $\{\rho_n\}$ has the form

$$\rho_n = \hat{c} \otimes \cdots \otimes \hat{c} = \bigotimes_{j=1}^{n-1} \hat{c}$$

where \hat{c} has the form (4.1).

5 Examples of Q -Measures

In this section we compute some simple examples of q -measures in the stationary case. Let $\{a_n\}$ be a stationary CAP with corresponding coupling constants $\{c_n\}$. As usual, we can identify Ω_n with \mathcal{P}_n . If $\omega = \omega_1 \cdots \omega_n \in \Omega_n$ we have that $\mu_n(\omega) = \mu_n(\omega_n)$. For $\mathcal{P}_2 = \{x_{2,0}, x_{2,1}\}$ we have $a_2(x_{2,0}) = c_1$, $a_2(x_{2,1}) = 1 - c_1$, so $\mu_2(x_{2,0}) = |c_1|^2$ and $\mu_2(x_{2,1}) = |1 - c_1|^2$. For

$$\mathcal{P}_3 = \{x_{3,0}, x_{3,1}, x_{3,2}, x_{3,3}\}$$

we have $a_3(x_{3,0}) = c_1 c_2$, $a_3(x_{3,1}) = c_1(1 - c_2)$, $a_3(x_{3,2}) = (1 - c_1)c_2$, $a_3(x_{3,3}) = (1 - c_1)(1 - c_2)$. Hence, $\mu_3(x_{3,0}) = |c_1|^2 |c_2|^2$, $\mu_3(x_{3,1}) = |c_1|^2 |1 - c_2|^2$, $\mu_3(x_{3,2}) = |1 - c_1|^2 |c_2|^2$ and $\mu_3(x_{3,3}) = |1 - c_1|^2 |1 - c_2|^2$. We now compute the q -measure of some two element sets. We have that

$$\mu_3(\{x_{3,0}, x_{3,1}\}) = |a_3(x_{3,0}) + a_3(x_{3,1})|^2 = |c_1|^2$$

Since $\mu_3(\{x_{3,0}, x_{3,1}\}) \neq \mu_3(x_{3,0}) + \mu_3(x_{3,1})$ in general, we conclude that $x_{3,0}$ and $x_{3,1}$ interfere with other, except in special cases. If

$$\mu_3(\{x_{3,0}, x_{3,1}\}) < \mu_3(x_{3,0}) + \mu_3(x_{3,1})$$

we say that $x_{3,0}$ and $x_{3,1}$ interfere *destructively* and if

$$\mu_3(\{x_{3,0}, x_{3,1}\}) > \mu_3(x_{3,0}) + \mu_3(x_{3,1})$$

we say that $x_{3,0}$ and $x_{3,1}$ interfere *constructively*. The three possible cases, $=, <, >$ can occur depending on the value of c_2 . In a similar way, we have that $\mu(\{x_{3,0}, x_{3,2}\}) = |c_2|^2$

$$\begin{aligned}\mu_3(\{x_{3,0}, x_{3,3}\}) &= |1 - c_1 - c_2 + 2c_1c_2|^2 \\ \mu_3(\{x_{3,1}, x_{3,2}\}) &= |c_1 + c_2 - 2c_1c_2|^2 \\ \mu_3(\{x_{3,1}, x_{3,3}\}) &= |1 - c_2|^2\end{aligned}$$

It follows that any pair of elements of \mathcal{P}_3 interfere, in general. Finally, we compute the q -measures of some three element sets:

$$\begin{aligned}\mu(\{x_{3,0}, x_{3,1}, x_{3,2}\}) &= |c_1 + c_2 - 2c_1c_2|^2 \\ \mu_3(\{x_{3,0}, x_{3,1}, x_{3,3}\}) &= |1 - c_2 + 2c_1c_2|^2\end{aligned}$$

We now consider

$$\mathcal{P}_4 = \{x_{4,0}, x_{4,1}, x_{4,2}, x_{4,3}, x_{4,4}, x_{4,5}, x_{4,6}, x_{4,7}\}$$

In this case we have $a_4(x_{4,0}) = c_1c_2c_3$, $a_4(x_{4,1}) = c_1c_2(1 - c_3)$, $a_4(x_{4,2}) = c_1(1 - c_2)c_3$, $a_4(x_{4,3}) = c_1(1 - c_2)(1 - c_3)$, $a_4(x_{4,4}) = (1 - c_1)c_2c_3$, $a_4(x_{4,5}) = (1 - c_1)c_2(1 - c_3)$, $a_4(x_{4,6}) = (1 - c_1)(1 - c_2)c_3$, $a_4(x_{4,7}) = (1 - c_1)(1 - c_2)(1 - c_3)$. We then have that $\mu_4(x_{4,j}) = |a_4(x_{4,j})|^2$, $j = 0, 1, \dots, 7$. In general, the pattern is clear that

$$\mu_n(x_{n,j}) = |c'_1|^2 |c'_2|^2 \cdots |c'_{n-1}|^2$$

where $c'_i = c_i$ if the history of $x_{n,j}$ turns “left” at the i th step and $c'_i = 1 - c_i$ if it turns “right” at the i th step. Some q -measures of two element sets are

$$\begin{aligned}\mu_4(\{x_{4,0}, x_{4,1}\}) &= |c_1|^2 |c_2|^2 \\ \mu_4(\{x_{4,1}, x_{4,2}\}) &= |c_1|^2 |c_2 + c_3|^2\end{aligned}$$

In general, any pair of c -causets in \mathcal{P}_4 interfere.

We now consider the *extremal left path* $\omega_\ell = x_{1,0}x_{2,0}x_{3,0}\cdots$. Is $\{\omega_\ell\} \in \mathcal{S}(\Omega)$? We have that

$$\mu_n(x_{n,0}) = |c'_1|^2 |c'_2|^2 \cdots |c'_{n-1}|^2$$

Now $\{\omega_\ell\} \in \mathcal{S}(\Omega)$ if and only if $\lim \mu_n(x_{n,0})$ exists and this depends on the values of c_n . In fact, we can set values of c_n so that $\lim \mu_n(x_{n,0}) = r$ for an $r \in \mathbb{R}^+$. For example, if we let $c_n = c_{n+1} = \dots = 1$, then we obtain

$$\mu(\omega_\ell) = \lim \mu_m(x_{m,0}) = |c'_1|^2 |c'_2|^2 \cdots |c'_{n-1}|^2$$

Moreover, in this case $\{\omega\} \in \mathcal{S}(\Omega)$ for every $\omega \in \Omega$ with similar values for $\mu(\omega)$.

As another example, let $A \subseteq \Omega$ be the set of paths $\omega = \omega_1\omega_2\cdots$ such that $\omega_3, \omega_4, \dots$ are the “middle half” of $\mathcal{P}_3, \mathcal{P}_4, \dots$. That is, $A^1 = \mathcal{P}_1$, $A^2 = \mathcal{P}$, $A^3 = \{x_{3,1}, x_{3,2}\}$,

$$\begin{aligned} A^4 &= \{x_{4,2}, x_{4,3}x_{4,4}, x_{4,5}\} \\ A^5 &= \{x_{5,4}, x_{5,5}x_{5,6}, x_{5,7}x_{5,8}x_{5,9}x_{5,10}x_{5,11}\} \\ &\vdots \end{aligned}$$

$$\text{Now } \mu_1(A^1) = \mu_2(A^2) = 1, \mu_3(A^3) = |c_1 + c_2 - 2c_1c_2|^2$$

$$\begin{aligned} \mu_4(A^4) &= |c_1(1 - c_2)c_3 + c_1(1 - c_2)(1 - c_3) + (1 - c_1)c_2c_3 + (1 - c_1)c_2(1 - c_3)|^2 \\ &= |c_1(1 - c_2) + (1 - c_1)c_2|^2 = |c_1 + c_2 - 2c_1c_2|^2 \end{aligned}$$

It is not a coincidence that $\mu_4(A^4) = \mu_3(A^3)$. In fact, $A^4 = (A^3 \rightarrow)$ and $A = \text{cyl}(A^3)$. It follows that $A \in \mathcal{C}(\Omega)$ so $A \in \mathcal{S}(\Omega)$ with $\mu(A) = \mu_3(A^3)$. In a similar way $A' \in \mathcal{S}(\Omega)$ with $\mu(A') = |1 - c_1 - c_2 + 2c_1c_2|^2$. We can interpret A' as the “one fourth end paths” with $A'^n = (A^n)'$, $n = 3, 4, \dots$

The situation for noncylinder sets is more complicated so to simplify matters we consider a completely stationary CAP. In this case we have only one coupling constant c . For $x \in \mathcal{P}_n$ we have that $a_n(x) = c^j(1 - c)^k$ where $j + k = n - 1$, j is the number of “left turns” and k is the number of “right turns.” We then have explicitly that

$$\begin{aligned} \mu_n(\mathcal{P}_n) &= \left| \sum_{x \in \mathcal{P}_n} a_n(x) \right|^2 = \left| \sum_{j=0}^{n-1} \binom{n-1}{j} c^j(1-c)^{(n-1-j)} \right|^2 \\ &= |(c + 1 - c)^{n-1}|^2 = 1 \end{aligned}$$

The q -measure of $x \in \mathcal{P}_n$ becomes

$$\mu_n(x) = |c^j(1 - c)^k|^2 = |c|^{2j} |1 - c|^{2k}$$

It is interesting that in this case we have

$$\begin{aligned}\sum_{x \in \mathcal{P}_n} \mu_n(x) &= \sum_{j=0}^{n-1} \binom{n-1}{j} (|c|^2)^j (|1-c|^2)^{(n-1-j)} \\ &= (|c|^2 + |1-c|^2)^{n-1}\end{aligned}$$

If $\omega = \omega_1 \omega_2 \cdots \in \Omega$, then

$$\mu_n(\{\omega\}^n) = \mu_n(\omega_n) = |c|^{2j} |1-c|^{2k}$$

Whether $\lim \mu_n(\omega_n)$ exists or not depends on c . If $|c|, |1-c| < 1$ then $\{\omega\} \in \mathcal{S}(\Omega)$ for every $\omega \in \Omega$ and $\mu(\omega) = 0$. If $|c|, |1-c| > 1$, then $\{\omega\} \notin \mathcal{S}(\Omega)$ for every $\omega \in \Omega$. If $|c| < 1, |1-c| > 1$ or vice versa, then $\{\omega\} \in \mathcal{S}(\Omega)$ for some $\omega \in \Omega$ and $\{\omega\} \notin \mathcal{S}(\Omega)$ for others. Except for the trivial cases $|c| = 1$ or $|1-c| = 1$ we have that $\mu(\{\omega\}) = 0$ whenever $|\omega| \in \mathcal{S}(\Omega)$. An interesting example of a set $B \notin \mathcal{C}(\Omega)$ is

$$B = \{\omega_1 \omega_2 \cdots \in \Omega : \omega_j \text{ is connected } j \in \mathbb{N}\}$$

Thus, $B = \{\omega_\ell\}'$ where ω_ℓ is the extremal left path. Then $B \notin \mathcal{C}(\Omega)$ and $\mu_n(B^n) = |1-c^{n-1}|^2$. If $|c| < 1$, then $\lim \mu_n(B^n) = 1$ so $B \in \mathcal{S}(\Omega)$ with $\mu(B) = 1$.

As a special case, let $\{a_n\}$ be a completely stationary CAP with coupling constant $c = \frac{1}{2} + \frac{i}{2}$. This is probably the simplest nontrivial coupling constant. Notice that $1-c = \frac{1}{2} - \frac{i}{2} = \bar{c}$ and $|c| = |\bar{c}| = 1/\sqrt{2}$. Moreover

$$c = \frac{1}{\sqrt{2}} e^{i\pi/4}, \quad \bar{c} = \frac{1}{\sqrt{2}} e^{-i\pi/4}$$

For $x \in \mathcal{P}_n$ we have that $\mu_n(x) = 1/2^{n-1}$. It follows that $\{\omega\} \in \mathcal{S}(\Omega)$ for every $\omega \in \Omega$ and $\mu(\omega) = 0$. In a similar way, if $A \subseteq \Omega$ is finite, then $A \in \mathcal{S}(\Omega)$ and $\mu(A) = 0$. Moreover, $A' \in \mathcal{S}(\Omega)$ and $\mu(A') = 1$. In \mathcal{P}_3 we have that

$$\mu_3(\{x_{3,0}, x_{3,1}\}) = |c|^2 = \frac{1}{2} = \mu_3(x_{3,0}) + \mu_3(x_{3,1})$$

so in this case $x_{3,0}$ and $x_{3,1}$ do not interfere. In a similar way, $\mu_3(\{x_{3,0}, x_{3,2}\}) = 1/2$ so $x_{3,0}$ and $x_{3,2}$ do not interfere. On the other hand,

$$\mu_3(\{x_{3,0}, x_{3,3}\}) = |1-2c-2c^2|^2 = 0$$

so $x_{3,0}$ and $x_{3,3}$ interfere destructively. Also,

$$\mu_3(\{x_{3,1}, x_{3,2}\}) = |2c - 2c^2|^2 = 4|c(1-c)|^2 = 1$$

so $x_{3,1}$ and $x_{3,2}$ interfere constructively. Even in this simple case we can get strange results:

$$\mu_3(\{x_{3,0}, x_{3,1}, x_{3,2}\}) = |2c - 2c^2|^2 = \frac{5}{4}$$

We can check grade-2 additivity:

$$\begin{aligned} \frac{5}{4} &= \mu_3(\{x_{3,0}, x_{3,1}, x_{3,2}\}) \\ &= \mu_3(\{x_{3,0}, x_{3,1}\}) + \mu_3(x_{3,0}, x_{3,2}) + \mu_3(\{x_{3,1}, x_{3,2}\}) \\ &\quad - \mu_3(x_{3,0}) - \mu_3(x_{3,1}) - \mu_3(x_{3,2}) = \frac{1}{2} + \frac{1}{2} + 1 - \frac{3}{4} \end{aligned}$$

An interesting property of this special case is that the probability operators $\rho_n = \rho_2 \otimes \cdots \otimes \rho_2$ are closely related to the Pauli spin operator

$$\sigma_y = \begin{bmatrix} 0 & -i \\ i & 0 \end{bmatrix}$$

In particular, for $c = \frac{1}{2} + \frac{i}{2}$ we have

$$\rho_2 = \begin{bmatrix} |c|^2 & \bar{c}(1-c) \\ c(1-\bar{c}) & |1-c|^2 \end{bmatrix} = \frac{1}{2} \begin{bmatrix} 1 & -i \\ i & 1 \end{bmatrix} = \frac{1}{2}(I + \sigma_y)$$

In this way, ρ_n corresponds to a state for $(n-1)$ spin- $\frac{1}{2}$ particles.

We now consider precluded events for the CAP we are discussing. We say that $x_{n,j}, x_{n,k} \in \mathcal{P}_n$ are an *antipodal pair* if $a_n(x_{n,j}) = -a_n(x_{n,k})$. Since $a_n(x_{n,m}) = c^j \bar{c}^k$, $j+k = n-1$, we have that

$$a_n(x_{n,m}) = 2^{(n-1)/2} e^{ir\pi/4}$$

for some $r \in \{0, 1, \dots, 7\}$. It follows that $x_{n,j}$ and $x_{n,k}$ are an antipodal pair if and only if

$$a_n(x_{n,j}) = 2^{(n-1)/2} e^{ir\pi/4} = -a_n(x_{n,k})$$

for some $r \in \{0, 1, \dots, 7\}$. We leave the proof of the following result to the reader. As usual we apply the identity $\Omega_n \approx \mathcal{P}_n$.

Theorem 5.1. *A set $A \subseteq \Omega_n$ is a nonempty, primitive precluded event if and only if $A = \{x_{n,j}, x_{n,k}\}$ where $x_{n,j}$ and $x_{n,k}$ are an antipodal pair.*

Applying Theorems 5.1 and 3.2 we obtain:

Corollary 5.2. *A set $A \subseteq \Omega_n$ is precluded if and only if A is a disjoint union of antipodal pairs.*

Example 4. We illustrate Corollary 5.2 by displaying the antipodal pairs in \mathcal{P}_3 , \mathcal{P}_4 and \mathcal{P}_5 . In \mathcal{P}_3 there is only one antipodal pair $(x_{3,0}, x_{3,3})$. In \mathcal{P}_4 the antipodal pairs are

$$(x_{4,0}, x_{4,3}), (x_{4,0}, x_{4,5}), (x_{4,0}, x_{4,6}) \\ (x_{4,1}, x_{4,7}), (x_{4,2}, x_{4,7}), (x_{4,4}, x_{4,7})$$

In \mathcal{P}_5 there are 28 antipodal pairs. To save writing we use the notation $j = x_{5,j}$. The antipodal pairs in \mathcal{P}_5 are

$$(0, 3), (0, 5), (0, 6), (0, 9), (0, 10), (0, 12) \\ (15, 3), (15, 5), (15, 6), (15, 9), (15, 10), (15, 12) \\ (1, 7), (1, 11), (1, 13), (1, 14), (2, 7), (2, 11), (2, 13), (2, 14) \\ (4, 7), (4, 11), (4, 13), (4, 14), (8, 7), (8, 11), (8, 13), (8, 14)$$

According to the coevent formulation [1, 6, 7, 8], precluded events do not occur so we can remove them from consideration. What is left can occur in some anhomomorphic realization of possible universes [1, 7, 8]. We can remove a precluded event from Ω_n (or \mathcal{P}_n) which is as large as possible but there is no unique way of doing this, in general. To illustrate this method let us remove the “left” and “right” precluded extremes. In \mathcal{P}_3 we remove the precluded event $\{x_{3,0}, x_{3,3}\}$ and we obtain

$$A_3 = \{x_{3,1}, x_{3,2}\}$$

with $\mu_3(A_3) = 1$. In \mathcal{P}_4 we remove the precluded event

$$\{x_{4,0}, x_{4,1}, x_{4,6}, x_{4,7}\}$$

and we obtain

$$A_4 = \{x_{4,2}, x_{4,3}, x_{4,4}, x_{4,5}\}$$

with $\mu_4(A_4) = 1$. In \mathcal{P}_5 we remove the precluded event

$$\{x_{5,0}, x_{5,1}, x_{5,2}, x_{5,3}, x_{5,4}, x_{5,11}, x_{5,12}, x_{5,13}, x_{5,14}, x_{5,15}\}$$

and we obtain

$$A_5 = \{x_{5,5}, x_{5,6}, x_{5,7}, x_{5,8}, x_{5,9}, x_{5,10}\}$$

with $\mu_5(A_5) = 1$. Continuing this process, we conjecture that we obtain a sequence of events $A_n \subseteq \Omega_n$ where $|A_n| = 2(n-2)$ and $\mu_n(A_n) = 1$. Although $|\Omega_n|$ increases exponentially, if this conjecture holds then $|A_n|$ only increases linearly. This gives a huge reduction for the number of possible universes. If $A \subseteq \Omega$ satisfies $A^n = A_n$ then $A \in \mathcal{S}(\Omega)$ with $\mu(A) = 1$ and $A' \in \mathcal{S}(\Omega)$ with $\mu(A') = 0$. We would then conclude that A' is precluded and a realizable universe would have to be in A .

References

- [1] Y. Ghazi-Tabatabai and P. Wallden, Dynamics and predictions in the co-event interpretation, *J. Phys. A* **42** 235303 (2009).
- [2] S. Gudder, An approach to discrete quantum gravity, arXiv: gr-qc 1305.5184 (2013).
- [3] J. Henson, Quantum histories and quantum gravity, arXiv: gr-qc 0901.4009 (2009).
- [4] R. Sorkin, Quantum mechanics as quantum measure theory, *Mod. Phys. Letts. A* **9** (1994), 3119–3127.
- [5] R. Sorkin, Causal sets: discrete gravity, arXiv: gr-qc 0309009 (2003).
- [6] R. Sorkin, Quantum dynamics without the wave function, *J. Phys. A* **40** (2007), 3207–3221.
- [7] S. Surya, Directions in causal set quantum gravity, arXiv: gr-qc 1103.6272 (2011).
- [8] P. Wallden, The coevent formulation of quantum theory, arXiv: gr-qc 1301.5704 (2013).